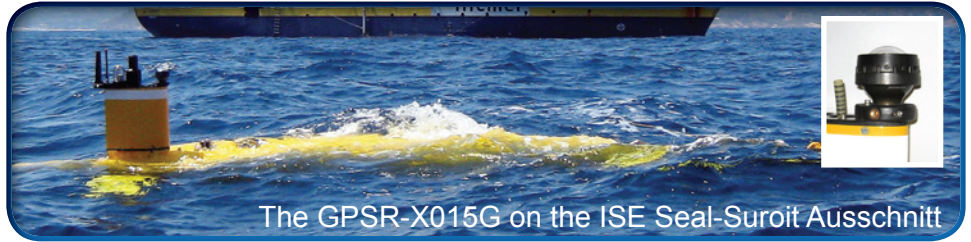


SOSI

T. 425.869.1834
F. 425.869.5554
www.soundocean.com
info@soundocean.com


GPS RECEIVER

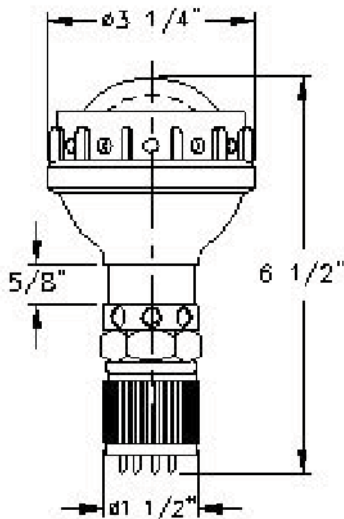
» Model GPSR-X015G



The SOSI Series GPSR-X015G Satellite Differential GPS Receivers are designed for use with deep diving AUVs, buoys or other autonomous systems that are required to operate at depth—but periodically surface to determine position and reset their navigation system. These receivers and antennas are designed to receive GPS satellite data only while on the surface, but can survive routine submergence to depth. The GPSR-X015G is available in depth ratings of 3000 or 6000 meters. The rugged 12 channel GPS engine is compatible with WAAS, EGNOS, JCAB and RTCM SC-104 Differential Correction Systems. Their proven housing, antenna, and receiver element designs ensure reliable operation that you can depend upon.

Thank you for reviewing the GPSR-X015G. Please contact our helpful technical staff if you require assistance with this product. Our team of skilled engineers, designers and trained technicians are ready to assist you with product modifications and solutions to meet your most demanding requirements.

Be it an existing product or a customized package—our mission is to offer innovative engineering, design and quality manufacturing for our diverse and growing global customer base. Take action and make waves with SOSI today! 



Technical Specifications

Frequency 1575.42 ±1 MHz (L1)
Sensitivity -165 dBW
Signal Acquisition Automatic
Time to First Fix 2.5 Minutes Max.
Position Accuracy 15m RMS
Speed Accuracy 0.5 m/x RMS
Power 9-30V @ 0.5 Watts
Operating Temp -30 to 80°C
Storage Temp -14 to 90°C
Data Output NMEA 183 v2.00
1PPS adjustable pulse width
Data Input RTCM SC-104
Geodetic Datum 108, 1 user

Mechanical Specifications

Finish Hard Coat Anodize
Weight (air) 20 oz.
Weight (sea water) 8 oz.
Height 6.5 in.
Diameter 3.25 in.
Material 6061 alum., glass,
..... Ultem
Connector (DGO) AWM-6-BC-GRE
Mating Connector AWM-6-FS
Depth Rating 3000, 6000 meters

*Specifications subject to change



 **Sound Ocean Systems, Inc.**
www.soundocean.com

Mailing Address: P.O. Box 2978 - Redmond, Washington 98073-2978, USA
Street Address: 17455 NE 67th Court, Suite 120, Redmond, WA 98052, USA
T: 425-869-1834 • F: 425-869-5554 • info@soundocean.com