

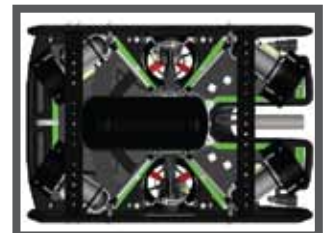
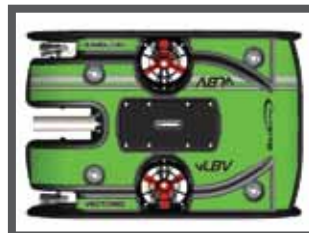
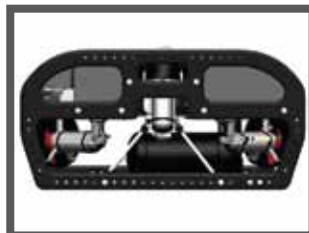
vLBV300 MiniROV Systems

The new SeaBotix vLBV300 is the ultimate small ROV with never-before-seen capability in the MiniROV class.



- 300 meter (1,000ft) depth rating and tether lengths to 2,000 meters (6,000ft)
- 6 Powerful Brushless DC thrusters with individual oil-compensators
- Variable vector horizontal thruster configuration and dual vertical thrusters
- 76mm or 95mm propeller option for increased power and flexibility
- High resolution sensors and active roll compensation for increased stability
- Multiple camera options including HD, rear and side cameras
- Ultra small diameter high strength, durable, low drag tether
- Wide range of sensors and available options including sonar, tracking, cameras and more

Until now, there has never before been such a capable small ROV. True to SeaBotix' tradition of offering industry-leading and revolutionary designs in the MiniROV market, the vLBV is the world's first truly vectored MiniROV. The vLBV offers MiniROV size with big ROV performance. Adjustable variable vectored thrusters offer equal horizontal thrust in all directions, or extreme pulling power for long penetrations and high currents. High-resolution cameras and sensors combined with SeaBotix' industry-leading low drag tether make the vLBV the new standard in offshore capability and portability.

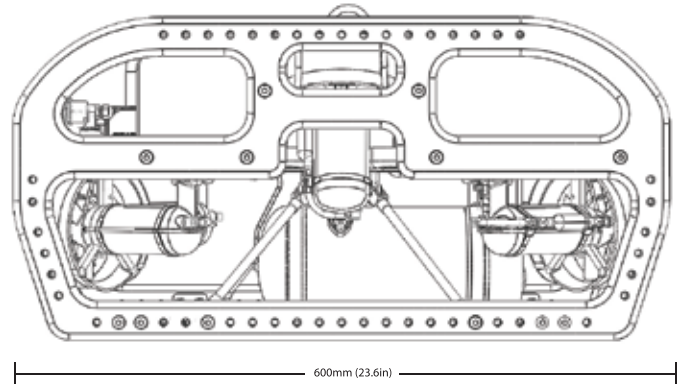


General

Depth Rating:	300m (1,000ft)
Length:	600mm (23.6in)
Width:	390mm (15.4in)
Height:	300mm (11.8in)
Diagonal:	492mm (19.4in)
Weight in air:	18kg (39.7lbs)

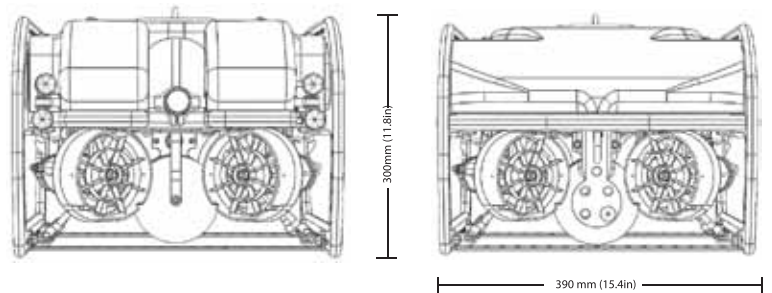
Thrusters/Performance

Configuration:	4 vectored, 2 vertical vertran
Vector Angle:	Manually variable 45°, 35°, 20° or combination
Motor Type:	Brushless DC direct drive
Prop Diameter:	76mm standard
Bollard Thrust:	See chart below right



Cameras/Lighting

Camera:	550 line high resolution color
Range of View:	270 Degrees
Sensitivity:	0.1 lux @ f2.0
Format:	NTSC or PAL
Transmission Type:	Fiber optic
Lighting:	2,160 Lumen LED tracking camera



Control System

Configuration:	Rugged case with weatherproof monitor and removable operator control unit
Monitor:	38cm (15") LCD
Power Requirement:	3,000 watts, 100-240 VAC
Safety:	Isolated input, circuit breaker, LIM, leak monitor Meets & exceeds "Code of Practice for the Safe use of Electricity in Water"
Auto Functions:	Depth, heading, trim, roll compensation
Overlay:	Onscreen overlay with depth, heading, lights, thruster gain, turns counter, camera angle time, date and user programmable characters

vLBV300 Bollard Thrust

	76mm Props	95mm Props
45° Vector		
Forward	13.0kgf	18.7kgf
Lateral	13.0kgf	18.7kgf
35° Vector		
Forward	15.1kgf	21.6kgf
Lateral	10.6kgf	15.1kgf
20° Vector		
Forward	17.3kgf	24.8kgf
Lateral	6.3kgf	9.0kgf

Tether/Reel

Diameter:	8mm (0.3in) nominal
Length:	250m (820ft) standard
Working Load:	100kgf (220ft/lbs)
Breaking Strain:	700kgf (1,543ft/lbs)
Buoyancy:	Neutral in fresh, slightly positive in seawater
Reel:	Heavy duty with slip ring

Options

Tether Lengths:	300-2,000m (1,150-6,000ft)
Thrusters:	95mm propeller diameter
Cameras:	HD1080i, zoom, rear facing, side facing
Grabber:	Three jaw, interlocking small, interlocking large, parallel and cutter
Sonar:	Scanning sonar, multi-beam sonar, profiling sonar
Tracking:	USBL positioning system
Console:	Integrated Navigation and Control Console
Other:	Additional lighting, thickness gauge, CP and more

